

# HCB SELF ALIGNING ACCESSORIES



## DESCRIPTION:

The HCB self aligning silo mount, together with the HCB load cell family, are an ideal solution for process control, batch weighing, silo/hoppers and belt scale applications.

The HCB self aligning foot assembly, is an ideal solution for medium capacity platform scales and belt scale applications.

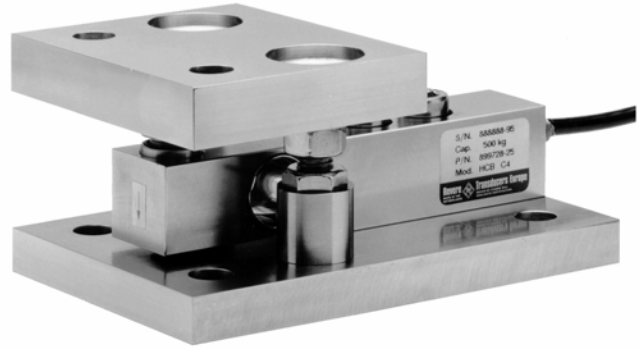
The HCB mount and foot are based on a rocker pin design, combining excellent load introduction to the transducer with an overall low profile. Hardened stainless steel components on all bearing surfaces. The fully stainless steel construction guarantees long term reliability, even in the most harsh of environments.

## FEATURES:

- Hardened components at all load bearing surfaces
- Rocker pin load introduction
- Stainless steel construction
- Built-in horizontal movement control and lift-off protection
- Load (re)placement after installation of the mount
- **Capacities: 0.25 → 5t**

## Self Aligning Mount

The HCB mount tolerates controlled movement in all directions. The silo or hopper is held captive, eliminating the need, unless major load movement is anticipated, for additional check rods. The unique design allows the load cell to be placed or replaced after installation of the mount.



## Height Adjustable Foot

The stainless steel foot, which has up to 5mm of height adjustment, provides excellent load introduction to the load cell. The foot allows flexibility in platform design without compromising overall system performance.

## Height Adjustable Rubber Foot

The height adjustable rubber foot, which has 4mm of height adjustment, is suitable for use on uneven surfaces. It also provides a low profile with good load introduction. The rubber base acts as a damper against shock loading.



## Further information:

		Height, LC + assembly (0.25 → 1t)	Height, LC + assembly (2t)	Height, LC + assembly (5t)
Self Aligning Mount	mm	80	84	125
Height Adj. Foot	mm	65+5	68+5	97+5

Mount / Foot	Outline drawing (0.25 → 2t)		Outline drawing (5t)
	Stainless Steel		Stainless Steel
Self Aligning Mount	899181-00		499090-10
Platform foot	899182-00		--
Height Adj. Foot	899179-00		499091-00
Rubber foot	499086-00		--
Height Adj. Rubber foot	499089-10		--
Mount Assembly Guidelines	AG 05/7-105/01		AG 03/9-111/01