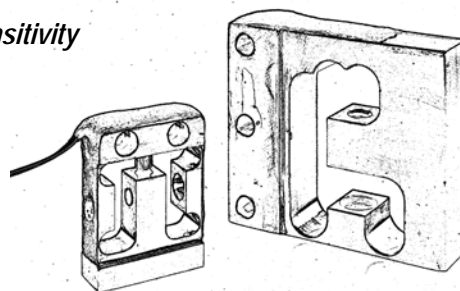


Model FT70

Force Sensor

- Full bridge design to simplify use and increase sensitivity
- Temperature compensated
- Simplified tension and compression loading
- Symmetrical loading beam for high accuracy
- 1000% overload capacity (models up to 25 lb) to minimize impact, shock and misuse damage

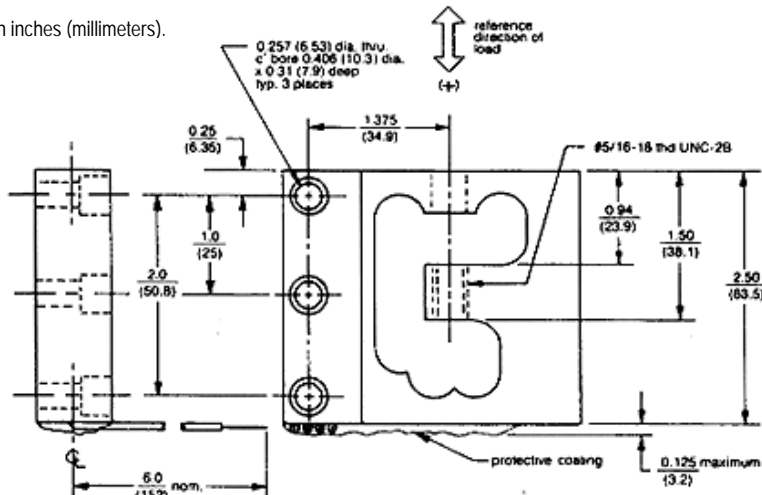
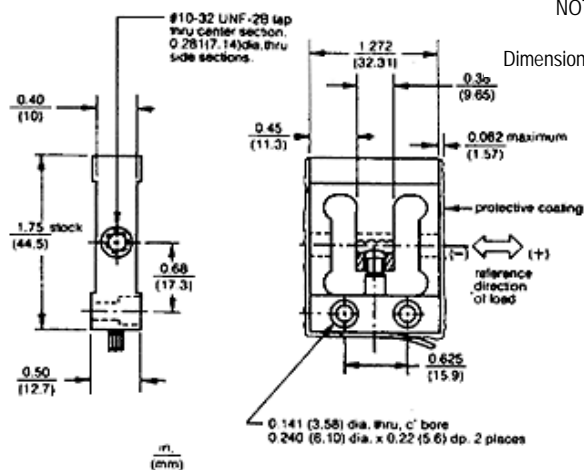


specifications

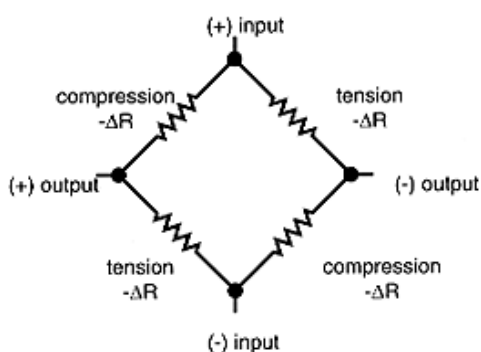
Capacity (lb)	2.2, 5, 10, 25, 50, 100, 250, 500	Hysteresis (% Rated Output)	2.2 - 100: ± 0.05 ; 250 - 500: ± 0.1
Excitation Voltage (Vdc or Vac _{rms})	10 recommended, 15 max.	Temp. Coef.: Output (%FS/°F: 15° to 115°F)	± 0.005
Bridge Configuration	Full bridge	Temp. Coef.: Zerp (%FS/°F: 15° to 115°F)	± 0.01
Zero Balance	± 0.4	Temperature Range: Storage	0 to 160°F
Resistance: Input	1160 \pm 10	Temperature Range: Operating	15 to 115°F
Resistance: Output	1000 \pm 10	Maximum Overload (%FS)	2.2 - 25: 2000; 50 - 500: 200
Resistance: Insulation (meg-ohm)	1000 min. @ 50Vdc	Safe Overload (%Rated Capacity)	2.2 - 25: 1000; 50 - 500: 150
Nonlinearity (% Rated Output)	2.2 - 100: ± 0.05 ; 250 - 500: ± 0.1	Creep (%FS/20 min. @ room temp.)	± 0.01
Rated Output (mV/V)	2.0 \pm 0.2	Deflection (in.)	2.2: 0.020; 5 - 100: 0.015; 250: 0.010; 500: 0.011

NOTE: Specifications subject to change. Request certified drawings prior to designing mountings or fixtures.

Dimensions in inches (millimeters).



Condition with (+) loading

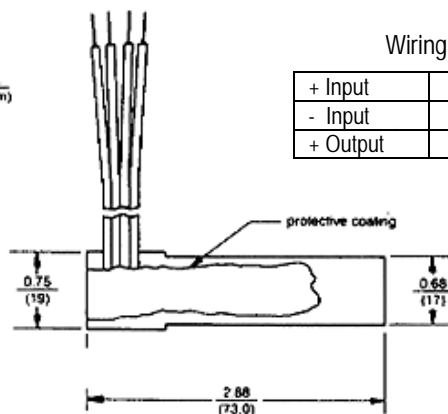


Circuit Diagram

Electrical Termination:
FT70 sensors provide a PVC-insulated 30-gage, 4-conductor flat cable with a 6" free length. Cable end is separated into singles approximately 1" long, stripped and tinned (1/4").

Wiring

+ Input	Red
- Input	Black
+ Output	White



**Revere
Transducers**

INTERTECHNOLOGY
INC.

19 Waterman Ave, Toronto, Ont. M4B1Y2
Ph#416-445-5500 Fax#416-445-1170
Toll Free: 1-800-465-1600
Email: sales@intertechnology.com
Website: www.intertechnology.com

ISO9001
Certified