

Universal Load Cell

FEATURES

- Capacities: 50–5000 kg, 100–10k lbs
- Fully welded, stainless steel construction
- Hermetically sealed, IP66 and IP68
- Certified to OIML R-60, 3000d
- Integrated overload stop (50–500 kg)
- Current calibration output (SC version) ensures easy and accurate parallel connection of multiple load cells
- **Optional**
 - ATEX and FM certified versions are available for use in potentially explosive atmospheres



APPLICATIONS

- Hybrid scales
- Process weighing
- Belt checkweighers
- Dynamometers
- Material testing machines

This product is suitable for a wide range of hybrid scales, overhead track scales, belt scales, and process weighing applications.

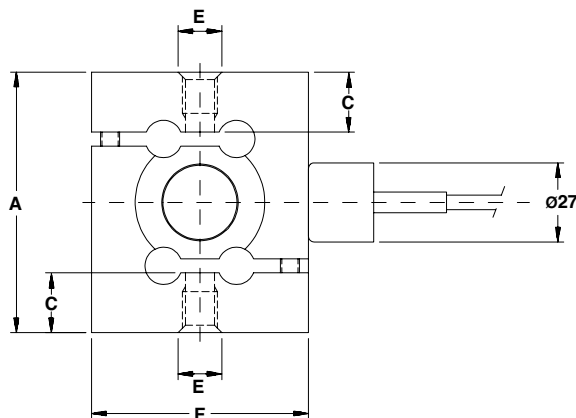
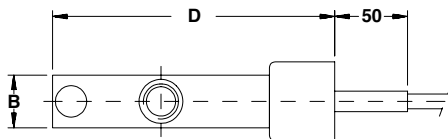
The fully welded construction and water block cable entry ensure that this product can be used successfully in the harsh environments found in the food, chemical, and allied process industries.

DESCRIPTION

The BSP is a stainless steel S-type load cell that can be used in either tension or compression.

This product fully meets the stringent Weights and Measures requirements throughout Europe.

OUTLINE DIMENSIONS in millimeters



Cable specifications

Cable length: 10m

Excitation +	Green
Excitation -	Black
Output +	White
Output -	Red
Shield	Transparent

Cable screen is not connected to the load cell body.
Performance may be affected if load cell cables are shortened.
Tension applications result in a negative output signal.

Capacity (kg)	50, 125	250	500	1250	2500, 5000
A	84.3	88.9	88.9	95.2	120.6
B	23.9	18.0	18.0	24.1	36.6
C thread	12.7	14.0	14.0	14.0	29.2
D	85.7	84.1	96.8	84.1	84.1
E	M8x1.25		M12x1		M24x2
F	63.5	61.9	74.6	61.9	61.9

Capacity (lb)	100, 250	500	1k	2.5k	5k, 10k
A	3.32	3.50	3.50	3.75	4.75
F	2.48	2.44	2.94	2.44	2.44
B	0.94	0.71	0.71	0.95	1.44
D	3.36	3.32	3.81	3.31	3.31
E threads	3/8-24UNF-3B		1/2-20 UNF-3B		1-14 UNS-3B

Disclaimer

ALL PRODUCTS, PRODUCT SPECIFICATIONS AND DATA ARE SUBJECT TO CHANGE WITHOUT NOTICE.

Vishay Precision Group, Inc., its affiliates, agents, and employees, and all persons acting on its or their behalf (collectively, "Vishay Precision Group"), disclaim any and all liability for any errors, inaccuracies or incompleteness contained herein or in any other disclosure relating to any product.

The product specifications do not expand or otherwise modify Vishay Precision Group's terms and conditions of purchase, including but not limited to, the warranty expressed therein.

Vishay Precision Group makes no warranty, representation or guarantee other than as set forth in the terms and conditions of purchase. **To the maximum extent permitted by applicable law, Vishay Precision Group disclaims (i) any and all liability arising out of the application or use of any product, (ii) any and all liability, including without limitation special, consequential or incidental damages, and (iii) any and all implied warranties, including warranties of fitness for particular purpose, non-infringement and merchantability.**

Information provided in datasheets and/or specifications may vary from actual results in different applications and performance may vary over time. Statements regarding the suitability of products for certain types of applications are based on Vishay Precision Group's knowledge of typical requirements that are often placed on Vishay Precision Group products. It is the customer's responsibility to validate that a particular product with the properties described in the product specification is suitable for use in a particular application.

No license, express, implied, or otherwise, to any intellectual property rights is granted by this document, or by any conduct of Vishay Precision Group.

The products shown herein are not designed for use in life-saving or life-sustaining applications unless otherwise expressly indicated. Customers using or selling Vishay Precision Group products not expressly indicated for use in such applications do so entirely at their own risk and agree to fully indemnify Vishay Precision Group for any damages arising or resulting from such use or sale. Please contact authorized Vishay Precision Group personnel to obtain written terms and conditions regarding products designed for such applications.

Product names and markings noted herein may be trademarks of their respective owners.