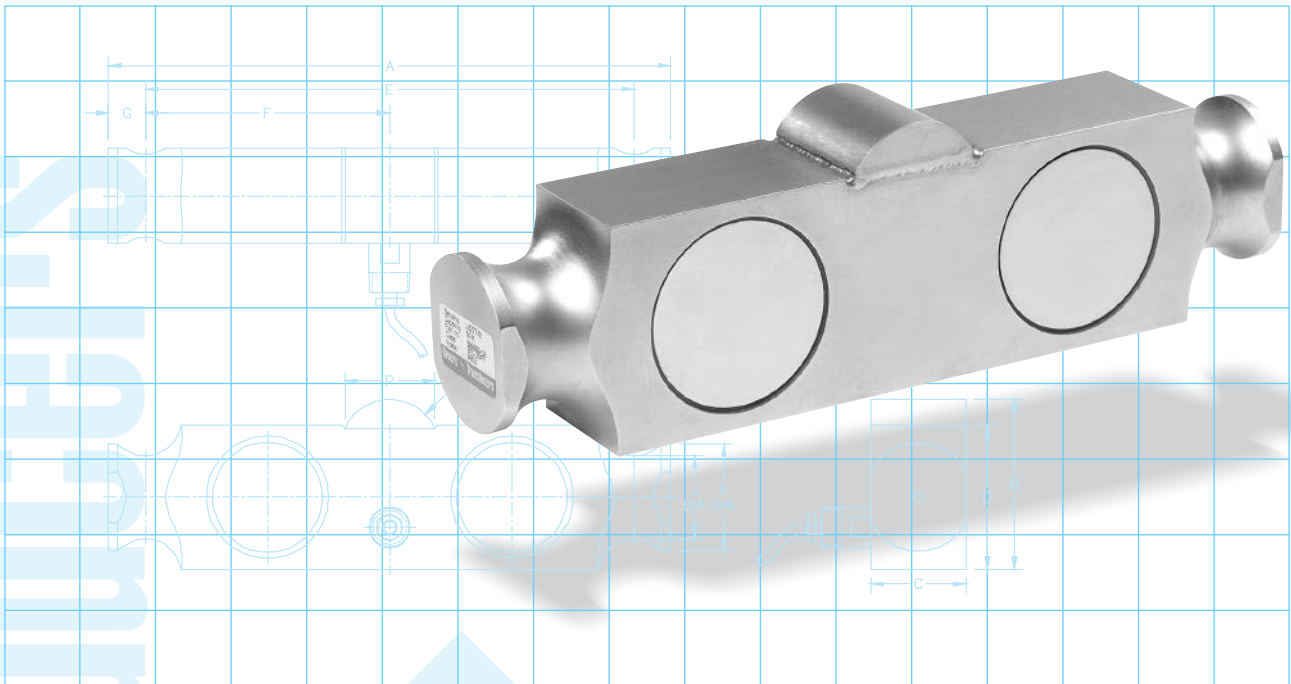


# 9903 DOUBLE ENDED BEAM LOAD CELL



## FEATURES:

- Capacities: 50 to 100 K lbs
- Environmental protection: IP67 (DIN 40.050)
- Material: Stainless Steel

## APPLICATIONS:

- Silos, Tanks and Hoppers
- Weighbridges

## DESCRIPTION:

The 9903 is a Double Ended Beam type load cell with a low profile design, specifically designed for applications where space is limited or special mounting required.

## APPROVALS:



Class III 6000d  
Class IIIIL 10000d



Factory Mutual

# 9903: SPECIFICATIONS

Parameter	Symbol	Unit of Measure	Specification
			Imperial
Capacities	$E_{max}$	lb	50K, 60K, 75K, 100K
Accuracy Class			B10
Accuracy Class According to			NTEP
Potentially Explosive Atmospheres options			Factory Mutual
Maximum number of Verification Intervals	$n_{ic}$		Class III 6000d, Class III L 10000d
Minimum Verification Interval	$V_{min}$		Class III: 4.58, 5.50, 6.88, 9.17 Class III L: 1.50, 1.80, 2.25, 3.00
Combined Error <sup>1</sup>		±%S	0.02
Creep error (20 minutes)		±%S	0.03
Temperature Effect on Zero	$TC_0$	±%FS/5°C (°F)	0.0090 (0.0010)
Temperature Effect on Output	$TC_S$	±%S/5°C (°F)	0.0072 (0.0008)
Rated Output	FS	mV/V	3 ± 0.003
Compensated Temperature Range	$T_{cps}$	°C (°F)	-10 to +40 (+14 to +104)
Operating Temperature Range	$T_{opr}$	°C (°F)	-53 to +93 (-65 to +200)
Environmental Protection			IP67
Cable Length		m (ft)	9 (30)
Cable Type			4 Wire shielded, Shield is not connected to load cell body
Zero Balance		±%FS	1.0
Safe Load Limit	$E_{lim}$	% $E_{max}$	150
Ultimate Load	$E_{ult}$	% $E_{max}$	300
Safe Side Load Limit		% $E_{max}$	100
Excitation Voltage		Volts AC or DC	10 Recommended, 15 Maximum
Input Resistance		Ohms	700.0 ± 7.0
Output Resistance		Ohms	700.0 ± 7.0
Insulation Resistance at 50 VDC		Mega Ohms	>5000
Element Material		ASTM	Stainless steel

## Notes:

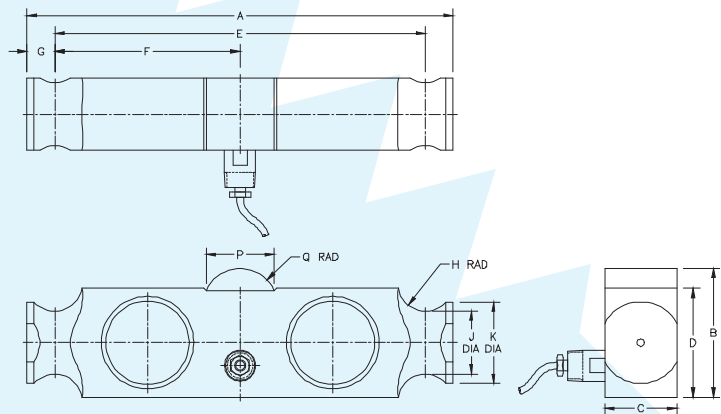
- We continually improve our products and therefore specifications are subject to change without notice.
- The accuracy may be affected if 4-wire load cell cables are shortened.

[1] Includes the effects of Non-Linearity and Hysteresis.

## Wiring color code:

Excitation +	Red
Excitation -	Black
Output +	Green
Output -	White
Shield	Transparent

Dimensions in inches	
Capacity	50, 60, 75, 100K
A	11.50
B	3.47
C	1.94
D	2.94
E	10.00
F	5.00
G	0.75
H Rad	0.75
ØJ	1.70
ØK	2.20
P	1.83
Q Rad	1.00



Attention: All dimension tolerances according to ISO 2768m, unless otherwise specified.

## Mounting:

Correct mounting of the load cells is essential to ensure optimum accuracy and performance. Further information is available on request.

No Mounts available for 9903.