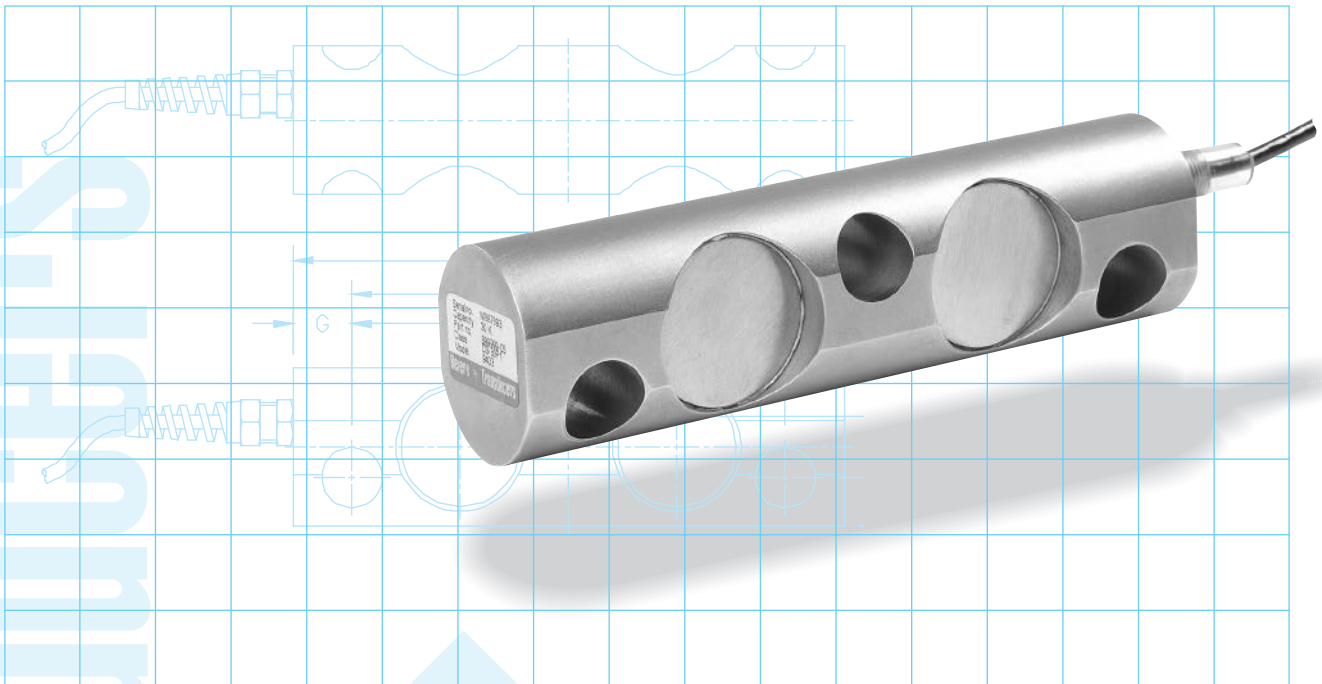


# 9403 DOUBLE ENDED BEAM LOAD CELL



## FEATURES:

- Capacities: 5 to 50 K lbs
- Environmental protection: IP67 (DIN 40.050)
- Material: Stainless Steel
- Easy Installation and Replacement

## DESCRIPTION:

The 9403 is a Double Ended Beam type load cell with a low profile design, specifically designed for low capacity small platforms and applications where space is limited or special mounting required.

A reliable sealing and mechanical protection of the strain gauge area is ensured by the use of potting compound with a metal cover.

## APPLICATIONS:

- Low capacity vehicle scales
- Platform scales
- Silos, Tanks and Hoppers

## APPROVALS:



Factory Mutual

# 9403: SPECIFICATIONS

Parameter	Symbol	Unit of Measure	Specification
			Imperial
Capacities	$E_{max}$	lb	5K, 10K, 15K, 20K, 30K, 40K, 50K
Accuracy Class			D3
Accuracy Class According to			Non-NTEP
Potentially Explosive Atmospheres options			Factory Mutual
Maximum number of Verification Intervals	$n_{ic}$		
Minimum Verification Interval	$V_{min}$		
Combined Error <sup>1</sup>		±%S	0.03
Creep error (20 minutes)		±%S	0.03
Temperature Effect on Zero	$TC_O$	±%FS/5°C (°F)	0.0135 (0.0015)
Temperature Effect on Output	$TC_S$	±%S/5°C (°F)	0.0072 (0.0008)
Rated Output	FS	mV/V	3 ± 0.003
Compensated Temperature Range	$T_{cps}$	°C (°F)	-10 to +40 (+14 to +104)
Operating Temperature Range	$T_{opr}$	°C (°F)	-53 to +93 (-65 to +200)
Environmental Protection			IP67
Cable Length		m (ft)	7.6 (25)
Cable Type			4 Wire Shielded, shield is not connected to load cell body
Zero Balance		±%FS	1.0
Safe Load Limit	$E_{lim}$	% $E_{max}$	150
Ultimate Load	$E_{ult}$	% $E_{max}$	300
Safe Side Load Limit		% $E_{max}$	100
Excitation Voltage		Volts AC or DC	10 Recommended, 15 Maximum
Input Resistance		Ohms	700.0 ± 7.0
Output Resistance		Ohms	700.0 ± 7.0
Insulation Resistance at 50 VDC		Mega Ohms	>5000
Element Material		ASTM	Stainless Steel

**Notes:**

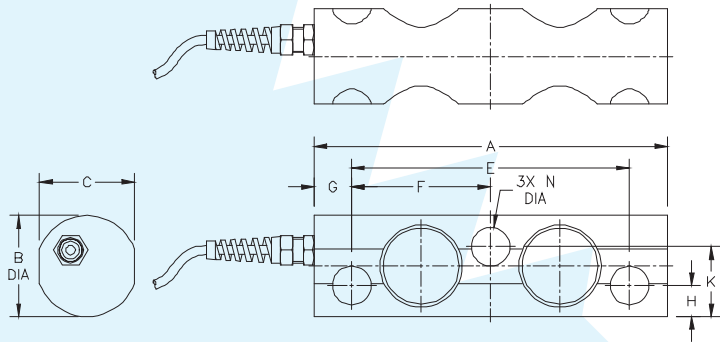
- We continually improve our products and therefore specifications are subject to change without notice.
- The accuracy may be affected if 4-wire load cell cables are shortened.

[1] Includes the effects of Non-Linearity and Hysteresis.

**Wiring color code:**

- Excitation + Red
- Excitation - Black
- Output + Green
- Output - White
- Shield Transparent

Dimensions in inches	
Capacity	5K- 50K
A	7.00
ØB	2.00
C	1.88
E	5.50
F	2.25
G	0.75
H	0.62
K	1.39
ØN	0.77



**Mounting:**

Correct mounting of the load cells is essential to ensure optimum accuracy and performance. Further information is available on request.

No Mounts available for 9403.

Attention: All dimension tolerances according to ISO 2768m, unless otherwise specified.