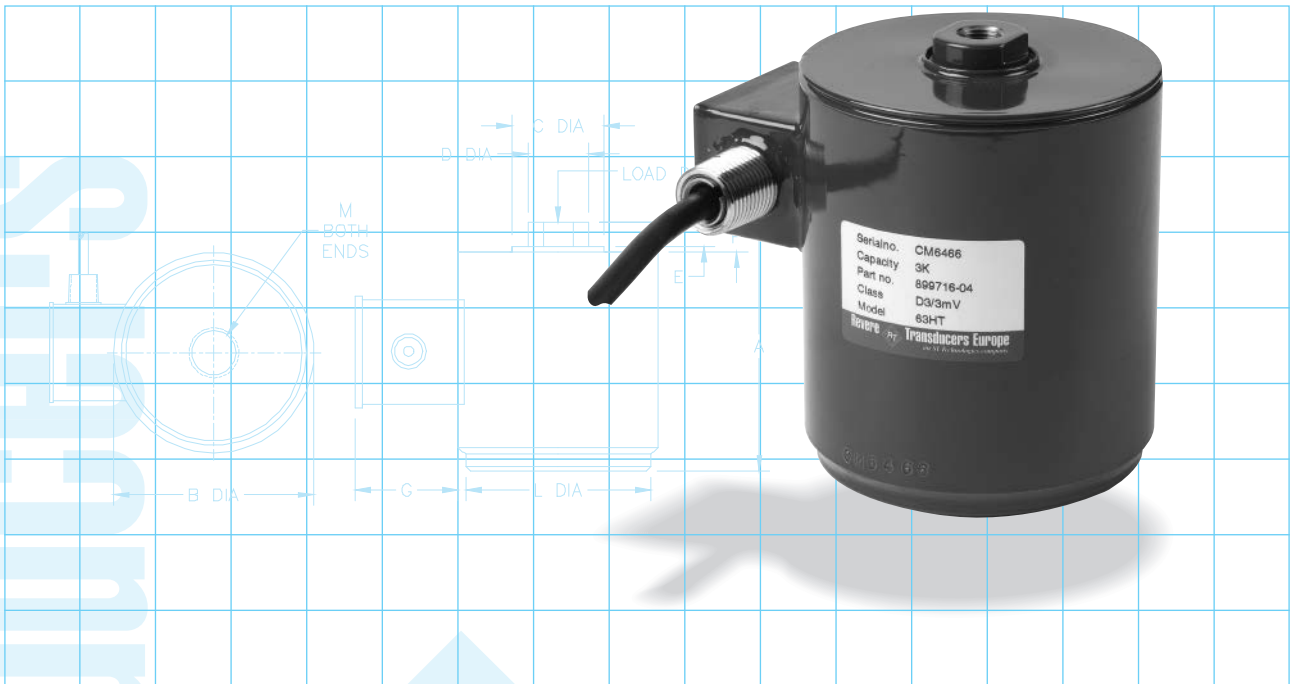


62-63HU UNIVERSAL LOAD CELL



FEATURES:

- Capacities: 100 lbs to 3 K lbs
- Environmental protection: IP68 (DIN 40.050)
- Material: Epoxy coated alloy steel
- Hermetically sealed

DESCRIPTION:

The 62HU and 63HU canister is a low profile design specifically for low capacity small platforms and for universal, tension and compression applications where space is limited or special mounting required.

Hermetic sealing offers excellent protection from moisture and provides long-term stability and reliability.

APPLICATIONS:

- Suspended Silos, Tanks and Hoppers
- Silos, Tanks and Hoppers

APPROVALS:

62-63HU: SPECIFICATIONS

Parameter	Symbol	Unit of Measure	Specification	
			Imperial	
Capacities	E_{max}	lb	100, 200, 300, 500, 750, 1K, 2K, 3 K	
Accuracy Class			D3	
Accuracy Class According to			Non-NTEP	
Potentially Explosive Atmospheres options			Not Available	
Maximum number of Verification Intervals	n_{ic}			
Minimum Verification Interval	V_{min}			
Combined Error ¹		±%S	0.05	
Creep error (20 minutes)		±%S	0.03	
Temperature Effect on Zero	TC_0	±%FS/5°C (°F)	0.0090 (0.0010)	
Temperature Effect on Output	TC_S	±%S/5°C (°F)	0.0135 (0.0015)	
Rated Output	FS	mV/V	Model 62HU: 2 ± 0.002	Model 63HU: 3 ± 0.003
Compensated Temperature Range	T_{cps}	°C (°F)	-10 to +40 (+14 to +104)	
Operating Temperature Range	T_{opr}	°C (°F)	-53 to +93 (-65 to +200)	
Environmental Protection			IP68	
Cable Length		m (ft)	3 (10)	
Cable Type			4 Wire shielded, Shield is not connected to load cell body	
Zero Balance		±%FS	1.0	
Safe Load Limit	E_{lim}	% E_{max}	200	
Ultimate Load	E_{ult}	% E_{max}	300	
Safe Side Load Limit		% E_{max}	10	
Excitation Voltage		Volts AC or DC	10 Recommended, 15 Maximum	
Input Resistance		Ohms	350.0 ± 3.5	
Output Resistance		Ohms	350.0 ± 3.5	
Insulation Resistance at 50 VDC		Mega Ohms	>5000	
Element Material		ASTM	Epoxy coated alloy steel	

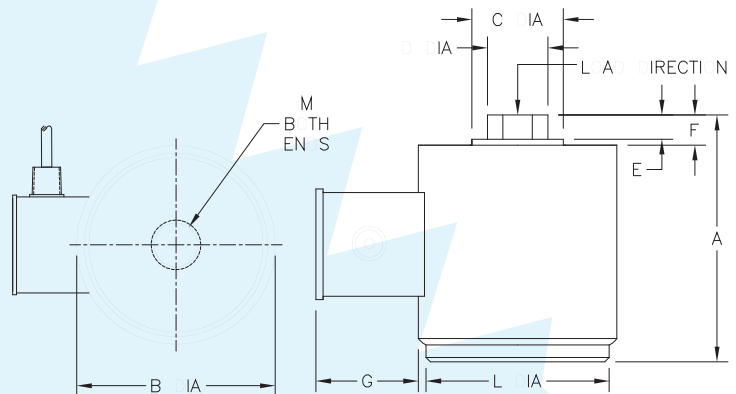
Notes:

- We continually improve our products and therefore specifications are subject to change without notice.
- The accuracy may be affected if 4-wire load cell cables are shortened.

[1] Includes the effects of Non-Linearity and Hysteresis.

Wiring color code:
 Excitation + Red
 Excitation - Black
 Output + Green
 Output - White
 Shield Transparent

Capacity	Dimensions in inches		
	100-300	500- 1K	2 - 3K
A	3.38	4.56	4.99
B	2.75	3.50	4.00
C	0.93	1.25	1.25
∅D	0.75	1.05	1.05
E	0.42	0.25	0.25
F	0.53	0.37	0.37
G	0.15	0.15	0.15
L	2.50	3.18	3.75
∅M	3/8-24 UNF-2B	1/2-20 UNF-2B	1/2-20 UNF-2B



Attention: All dimension tolerances according to ISO 2768m, unless otherwise specified.

Mounting:
 Correct mounting of the load cells is essential to ensure optimum accuracy and performance. Further information is available on request.

No Mounts available for 62HU/63HU.