

Resistive Linear Position Transducer**SLPT***Sense the motion*

- Measuring range 10mm – 400mm
- Long mechanical life 100.000.000 cycles
- Excellent repeatability
- Very low temperature drift
- Infinite resolution

Main Applications

Metal Forming Machines, Textile Machines, Packing Machines, Printing Machines,
Marble/ Stone Machines and General Automation Applications

Specifications

Mechanical stroke	10mm to 400mm
Linearity	± %0,05
Resolution	Infinite
Resistance output	2 Kohm up to 50mm, 50 to 400 mm 5 Kohm or 10 Kohm
Resistance tolerance	± %20
Load resistance	Min. 100 Kohm
Repeatability	≤ %0.01
Mechanical life	100 * 10 ⁶ Cycles
Displacement speed	≤ 5 m/s
Permissible applied voltage	28 VDC max
Recommended cursor current	< 1 µA
Electrical connections	cable (30cm)
Case dimensions	Ø 18mm
Case material	Anodized aluminium
Rod diameter	4mm
Rod material	Stainless steel
IP Degree	IP 65
Working temperature	- 20 / + 80 °C
Mechanical fixing	Variable brackets

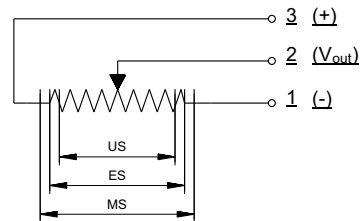
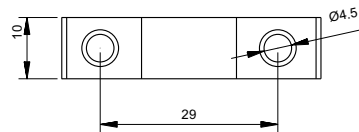
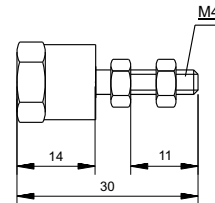
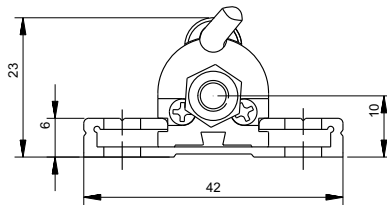
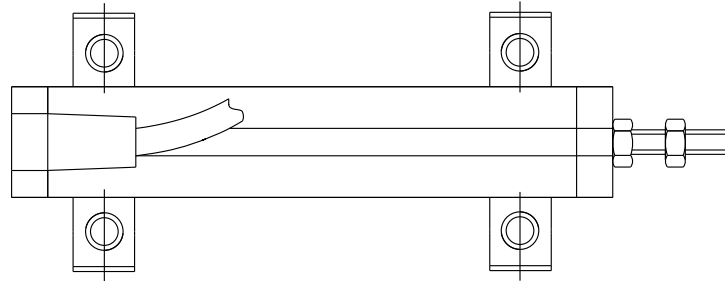
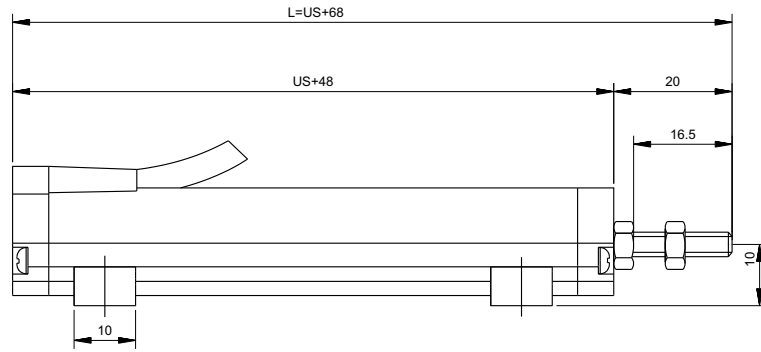
Dimensions

Model	LM	Mechanical stroke (MS)	Electrical measuring stroke (EMS)	Total lengt (L)
SLPT	10	12mm	10mm	78mm
SLPT	25	27mm	25mm	93mm
SLPT	50	52mm	50mm	118mm
SLPT	75	77mm	75mm	143mm
SLPT	100	102mm	100mm	168mm
SLPT	125	127mm	125mm	193mm
SLPT	150	152mm	150mm	218mm
SLPT	175	177mm	175mm	243mm
SLPT	200	202mm	200mm	268mm
SLPT	250	252mm	250mm	318mm
SLPT	300	302mm	300mm	368mm
SLPT	350	352mm	350mm	418mm
SLPT	400	402mm	400mm	468mm

Ordering Procedure

SLPT	200	D	5K
Model	Measurement Stroke	Linearity Class	Kohm Value
		D: 0,05 %	5K: 5 KΩ 10K: 10 KΩ

DIMENSIONS



$US = \text{Useful Stroke}$
 $ES = US + 0.5 (0.1\text{mm})$

Brown - Kahverengi (+)
Yellow - Sari (V_{out})
Blue - Mavi (-)
Black - Siyah (GND)