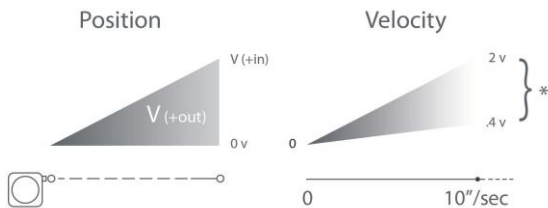


\*50-inch range model, dimensions may differ for other ranges

The DV301 is a combination position and velocity transducer for full-scale measurement ranges from 2 to 100 inches. A precision plastic-hybrid potentiometer provides accurate position feedback while a self-generating DC tachometer provides a velocity signal that is proportional to the speed of the traveling stainless-steel measuring cable.

#### Electrical Output Signals



\*varies by stroke range – see ordering information

## DV301

### Cable Actuated Sensor Instrument Grade • Position/Velocity

Position and Velocity Output Signals

Stroke Range Options: 0–2 to 0–100 inches

Powder Painted & Anodized Aluminum Enclosure

Industrial Automation & Testing Applications

#### General

<b>Full Stroke Range</b>	0-2 to 0-100 inches
<b>Measuring Cable</b>	.019-inch dia. nylon-coated stainless steel rope
<b>Enclosure Material</b>	powder-painted and anodized aluminum
<b>Weight</b>	2 lbs. max.

#### Position

<b>Output Signal</b>	voltage divider (potentiometer)
<b>Accuracy</b>	± 0.25% to ±0.10% full stroke (see ordering information)
<b>Repeatability</b>	± 0.02% full stroke
<b>Resolution</b>	essentially infinite
<b>Sensor</b>	plastic-hybrid precision potentiometer
<b>Input Resistance</b>	500, 1K, 5K or 10K Ω
<b>Power Rating, Watts</b>	2.0 at 70°F derated to 0 at 250° F
<b>Maximum Input Voltage</b>	see ordering information
<b>Output Signal Change Over Full Stroke Range</b>	94% ±4% of input voltage

#### Velocity

<b>Output Signal</b>	DC tachometer output
<b>Linearity</b>	better than ±0.10% of output at any velocity
<b>Repeatability</b>	±0.10% of reading
<b>Maximum Velocity • Retraction</b>	see ordering information
<b>Acceleration</b>	
<b>Sensor</b>	tach generator
<b>Input Voltage</b>	none required
<b>Output Voltage @ 100 inches per minute</b>	see ordering information
<b>Output Impedance</b>	350 ohms ±10%
<b>Output Ripple (when output ≥ 280 mV)</b>	±3% rms

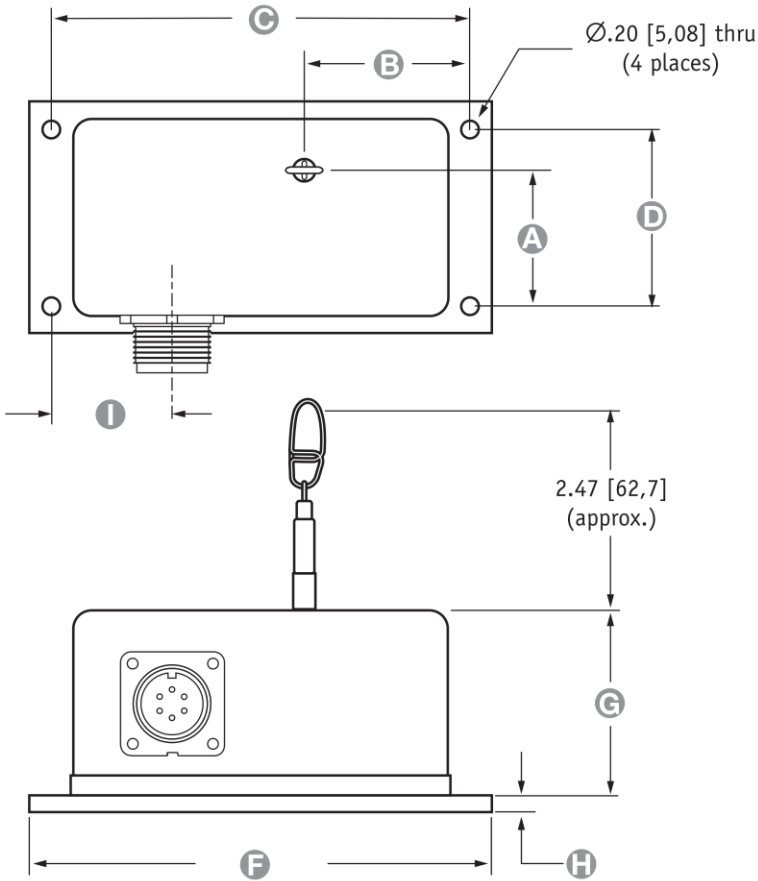
#### Environmental

<b>Enclosure</b>	IP50, NEMA 1
<b>Operating Temperature</b>	-40° to 200°F (-40° to 90°C)
<b>Vibration</b>	up to 10 g to 2000 Hz maximum

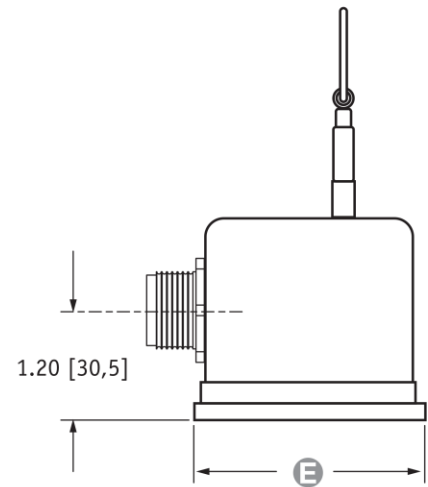
# DV301

Instrument Grade • Position/Velocity

## Outline Drawing



ALL DIMENSIONS ARE IN INCHES [MM]  
tolerances are ±0.02 in. [±0,5mm]



ALL DIMENSIONS ARE IN INCHES [MM] • tolerances are ±0.02 in. [±0,5mm]

Range	A	B	C	D	E	F	G	H	I
2", 10", 20"	1.34 [34,0]	4.00 [101,6]	7.00 [177,8]	2.00 [50,8]	2.63 [66,8]	7.50 [190,5]	2.10 [53,3]	.16 [4,1]	1.37 [34,8]
5", 25", 50"	1.85 [47,0]	4.00 [101,6]	7.00 [177,8]	2.00 [50,8]	2.63 [66,8]	7.50 [190,5]	2.10 [53,3]	.16 [4,1]	1.37 [34,8]
15", 30"	1.51 [38,4]	4.00 [101,6]	7.00 [177,8]	2.00 [50,8]	2.63 [66,8]	7.50 [190,5]	2.10 [53,3]	.16 [4,1]	1.37 [34,8]
40"	1.67 [42,4]	4.00 [101,6]	7.00 [177,8]	2.00 [50,8]	2.63 [66,8]	7.50 [190,5]	2.10 [53,3]	.16 [4,1]	1.37 [34,8]
60"	2.19 [55,6]	3.88 [98,5]	7.00 [177,8]	2.37 [60,2]	3.25 [82,5]	7.50 [190,5]	2.60 [66,0]	.19 [4,8]	1.37 [34,8]
75"	2.52 [64,0]	4.38 [111,3]	6.75 [171,4]	2.50 [63,5]	3.63 [92,2]	7.50 [190,5]	2.86 [72,6]	.19 [4,8]	1.37 [34,8]
100"	3.18 [80,7]	5.18 [131,5]	7.38 [187,5]	3.00 [76,2]	4.25 [108,0]	8.00 [203,2]	3.80 [96,5]	.19 [4,8]	3.69 [93,7]

## Ordering Information

### Model Number:

**DV301** -      -      **1** **1** -      **1** -      **0**

order code:      R      A      B      C      D      E      F      G

Sample Model Number:

**DV301 - 0025 - 111 - 1110**

- R** range: 25 inches
- A** measuring cable tension: standard - 5 oz.
- D** output signals: 500 ohm position / DC tachometer velocity
- F** electrical connection: 6-pin plastic connector

Ordering Information (cont.)

Full Stroke Range:

order code:	0002	0005	0010	0015	0020	0025	0030	0040	0050	0060	0075	0100
full stroke range, min:	2 in.	5 in.	10 in.	15 in.	20 in.	25 in.	30 in.	40 in.	50 in.	60 in.	75 in.	100 in.
position accuracy (% of f.s.):	0.25%	0.25%	0.15%	0.15%	0.10%	0.15%	0.10%	0.10%	0.10%	0.10%	0.10%	0.10%
potentiometer cycle life* <sup>1</sup> :	2.5 x 10 <sup>6</sup>	2.5 x 10 <sup>6</sup>	5 x 10 <sup>5</sup>	5 x 10 <sup>5</sup>	5 x 10 <sup>5</sup>	5 x 10 <sup>5</sup>	5 x 10 <sup>5</sup>	2.5 x 10 <sup>5</sup>	2.5 x 10 <sup>5</sup>	2.5 x 10 <sup>5</sup>	2.5 x 10 <sup>5</sup>	2.5 x 10 <sup>5</sup>
velocity output signal (±3%)* <sup>2</sup> :	322 mV	130 mV	322 mV	217 mV	322 mV* <sup>3</sup>	130 mV	217 mV* <sup>3</sup>	165 mV* <sup>3</sup>	130 mV* <sup>3</sup>	112 mV	91 mV	66 mV

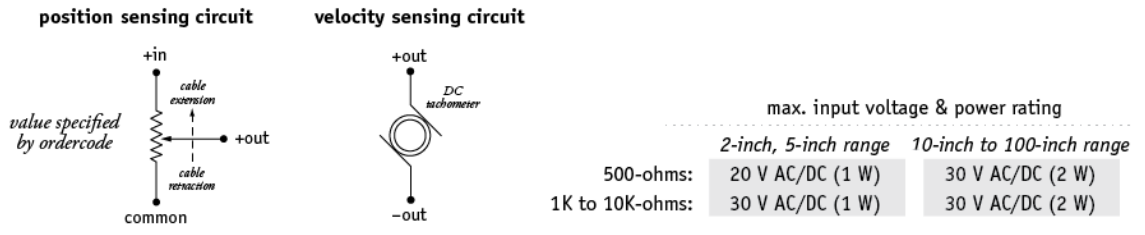
\*<sup>1</sup> – 1 cycle is defined as the travel of the measuring cable from full retraction to full extension and back to full retraction \*<sup>2</sup> – at the rate of 100 inches per minute \*<sup>3</sup> – output signal is reduced by 50% when Measuring Cable Tension options 2 or 3 is selected below

Measuring Cable Tension:

order code:	1	H	M
	standard tension tension, ±30% • max. acceleration	high tension tension, ±40%	max tension tension, ±40%
2, 10, 20 inch range:	39 oz. • 25g	65 oz.	116 oz.
5, 25, 50 inch range:	16 oz. • 5g	26 oz.	47 oz.
15, 30 inch range:	26 oz. • 6g	44 oz.	78 oz.
40 inch range:	21 oz. • 11g	33 oz.	61 oz.
60 inch range:	13 oz. • 4g	22 oz.	40 oz.
75 inch range:	17 oz. • 5g	31 oz.	n/a
100 inch range:	24 oz. • 10g	n/a	n/a

Output Signals:

order code:	1	2	3	4
position sensing potentiometer:	500 ohms*	1000 ohms*	5000 ohms*	10,000 ohms*



\* – tolerance = ±10%

Electrical Connection:

order code:	1	3	4
	6-pin plastic connector with mating plug	6-pin metal connector with mating plug	25-ft. instrumentation cable 24 AWG, shielded
	1/2 - 5/16" [14 - 8 mm] cable dia. 16 AWG max conductor size connector: MS3102E-14S-6P mating plug: MS3106E-14S-6S	3/8-in. [9 mm] max cable dia. 16 AWG max conductor size connector: MS3102E-14S-6P mating plug: MS3106E-14S-6S	25 ft. x 0.2-in. dia. [7.5 M x 5 mm dia.] 24 AWG, shielded
	6-pin mating plug:		25-ft. instrumentation cable:
	pin A: signal + in } position pin B: common } pin C: + out } pin D: - } pin E: + out } velocity pin F: - out }		color red: signal + in } position black: common } green: + out } white: + out } velocity brown: - out }



**19 Waterman Ave. Toronto, Ont. M4B1Y2**  
**Tel: 416-445-5500 Fax: 416-445-1170**  
**Toll Free: 1-800-465-1600**  
**Email: [sales@intertechnology.com](mailto:sales@intertechnology.com)**  
**Website: [www.intertechnology.com](http://www.intertechnology.com)**

Measurement Specialties, Inc., a TE Connectivity company.

Measurement Specialties, TE Connectivity, TE Connectivity (logo) and EVERY CONNECTION COUNTS are trademarks. All other logos, products and/or company names referred to herein might be trademarks of their respective owners.

The information given herein, including drawings, illustrations and schematics which are intended for illustration purposes only, is believed to be reliable. However, TE Connectivity makes no warranties as to its accuracy or completeness and disclaims any liability in connection with its use. TE Connectivity's obligations shall only be as set forth in TE Connectivity's Standard Terms and Conditions of Sale for this product and in no case will TE Connectivity be liable for any incidental, indirect or consequential damages arising out of the sale, resale, use or misuse of the product. Users of TE Connectivity products should make their own evaluation to determine the suitability of each such product for the specific application.

© 2015 TE Connectivity Ltd. family of companies All Rights Reserved.

DV301 12/01/2015