

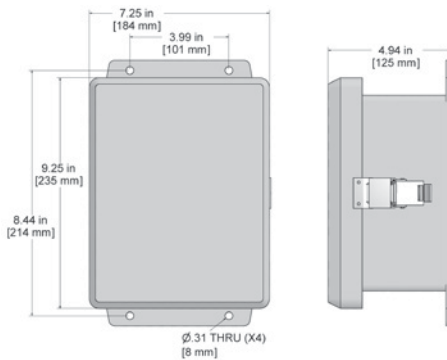
SB152/SB252

Fiberglass (SB152) or Stainless Steel (SB252) Signal Management Boxes, 6 and 12 Channels

SB152 Fiberglass Enclosure



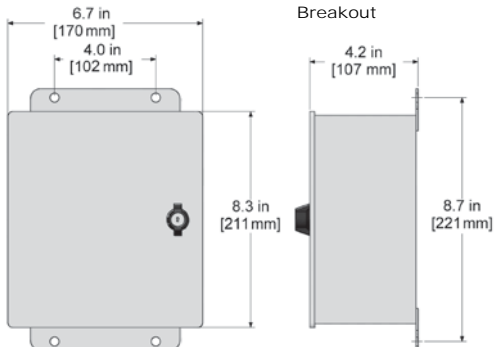
Quick Connect Breakout



SB252 Stainless Steel Enclosure



Quick Connect Breakout



Product Features

Easy Access Through BNC to 2 Pin Switches

Contains multiple BNC outputs for simultaneous signal collection
Single BNC & 2 Pin MIL for Switched Outputs

- Provides a switched output to a data collector, or continuous outputs to a signal recorder or multi-channel analyzer
- Allows simultaneous collection of multiple signals
- Quick-release input terminal blocks
- BNC Jacks for Multi-Channel Output

Specifications

	SB152	SB252
Inputs	Terminal Block 3 Inputs per channel (+, -, Shield)	
Switched Output	BNC Jack and 2 Pin MIL	
Continuous Output	12 BNC Jacks, Electrically Isolated	
Rating	NEMA 4X (IP66)	
Door Closure	Snap Latch	Twist Lock
Material	Fiberglass	Stainless Steel
Temperature Rating	-58° to 180° F (-50° to 82° C)	
Resistance	Resistant to Hose Directed Fluid and Corrosion	

Ordering Information

SB -

Enclosure Type
152 = Fiberglass Enclosure
252 = Stainless Steel Enclosure

Channels
6 = 6 Channels
12 = 12 Channels

Input Options
A = *User Defined
B = **Conduit Fitting
C = Cord Grips
S = †Stainless Steel Cord Grips

Example Part Number: **SB152-12B**

Twelve channel signal management box, NEMA 4X enclosure, with conduit fitting installed

* No punch outs are provided in the enclosure for cable entry. User may install any fitting required.

** For use with rigid body conduit.

† Stainless Steel enclosure only.

INTERTECHNOLOGY
INC.

19 Waterman Ave, Toronto, Ont. M4B1Y2

Ph#416-445-5500 Fax#416-445-1170

Toll Free: 1-800-465-1600

Email: sales@intertechnology.com

Website: www.intertechnology.com

