

## Specifications

### Electrical

Inputs	Terminal Block 3 Inputs per Channel (+,-,Shield)
Output	BNC Jack Per Channel Electrically Isolated

### Enclosure

Rating	NEMA 4X (IP66)
Door Closure	Twist Lock
Material	Stainless Steel

### Environmental

Temperature Rating	-50° to 180° F (-58° to 82° C)
Resistance	Resistant to Hose Directed Fluid and Corrosion

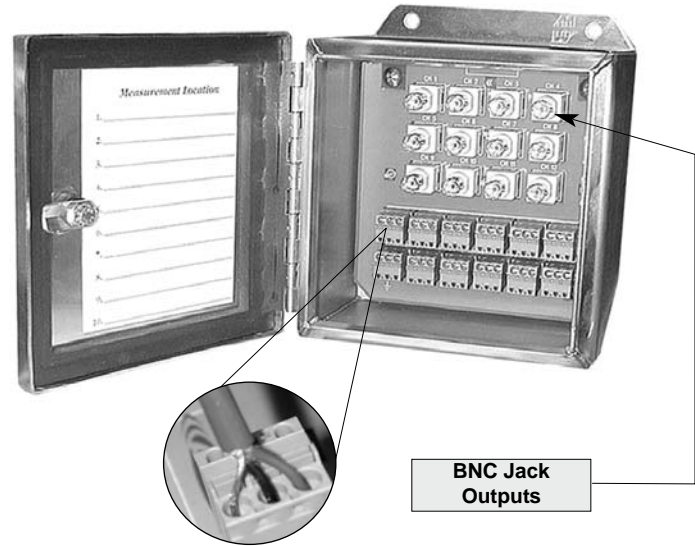
## Features

- **Cost Effective**
- **Connects Remotely Installed Accelerometers to Portable Data Collectors**
- **Withstands Harsh Factory and Outdoor Environments**
- **Quick release input terminal blocks**

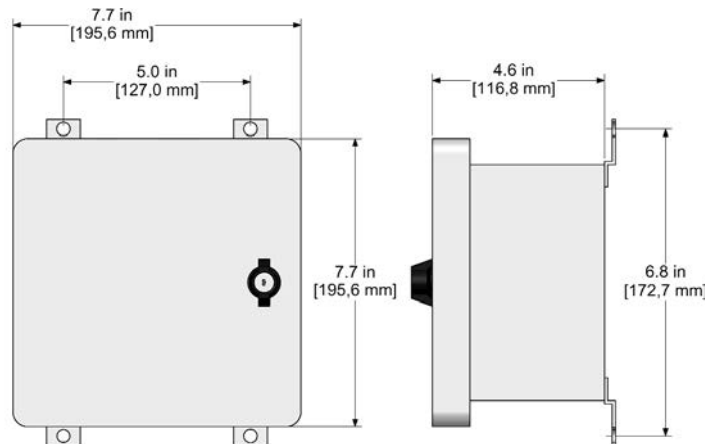
## Ordering Information

Part Number	Channels	Factory Installed Cable Entry
MX202-1A	1	*User Defined
MX202-1B	1	**3/4" Conduit Fitting
MX202-1C	1	Cord Grips
MX202-2A	2	*User Defined
MX202-2B	2	**3/4" Conduit Fitting
MX202-2C	2	Cord Grips
MX202-3A	3	*User Defined
MX202-3B	3	**3/4" Conduit Fitting
MX202-3C	3	Cord Grips
MX202-4A	4	*User Defined
MX202-4B	4	**3/4" Conduit Fitting
MX202-4C	4	Cord Grips
MX202-5A	5	*User Defined
MX202-5B	5	**3/4" Conduit Fitting
MX202-5C	5	Cord Grips
MX202-6A	6	*User Defined
MX202-6B	6	**1" Conduit Fitting
MX202-6C	6	Cord Grips
MX202-7A	7	*User Defined
MX202-7B	7	**1" Conduit Fitting
MX202-7C	7	Cord Grips
MX202-8A	8	*User Defined
MX202-8B	8	**1" Conduit Fitting
MX202-8C	8	Cord Grips
MX202-9A	9	*User Defined
MX202-9B	9	**1" Conduit Fitting
MX202-9C	9	Cord Grips

Model MX202-12A (as shown)



Quick Connect / Release Terminal Strips for Easy Field Wiring



Note: In order to identify mounting hole dimensions, mounting feet are not proportionally displayed to the box in the above drawing

## Ordering Information, Continued

Part Number	Channels	Factory Installed Cable Entry
MX202-10A	10	*User Defined
MX202-10B	10	**1 1/4" Conduit Fitting
MX202-10C	10	Cord Grips
MX202-11A	11	*User Defined
MX202-11B	11	**1 1/4" Conduit Fitting
MX202-12A	12	*User Defined
MX202-12B	12	**1 1/4" Conduit Fitting

Supplied Accessories: • Mounting Brackets • Measurement Location Card

\* No punch outs are provided in the enclosure for cable entry. User may install any fitting required. \*\* For use with rigid body conduit.



VIBRATION ANALYSIS HARDWARE



19 Waterman Ave, Toronto, Ont. M4B1Y2  
Ph#416-445-5500 Fax#416-445-1170  
Toll Free: 1-800-465-1600  
Email: sales@intertechnology.com  
Website: www.intertechnology.com