

# LP402 Series

Dual Output Sensor, Loop Power 4-20 mA, Velocity, Dynamic Acceleration, Top Exit Connector/Cable



Actual Product Size Shown

## Product Features

**Offers Continuous Protection Plus Dynamic Outputs for Diagnostics**

IEPE sensor power not required

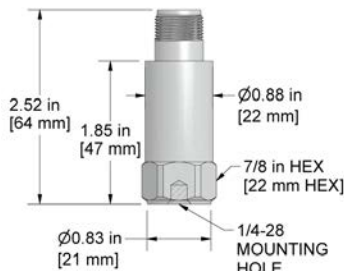
- 4-20 mA Velocity and Dynamic Acceleration Outputs
- Analytical Tool
- Outputs to PLC, DCS, SCADA

### LP402-1B

3 Pin Connector

Connector Pin	Polarity
A	(+) Loop Power mA Output
B	(-) Common
C	(+) Dynamic Acceleration Output

ALIGNMENT GUIDE (PIN)



### LP402-2C

Integral Cable

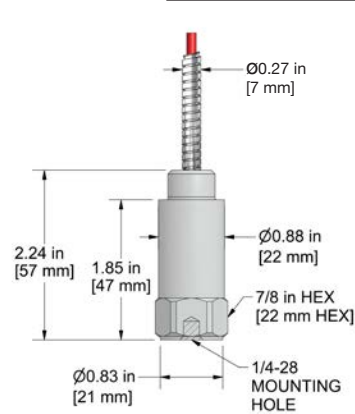
Conductor	Polarity
Red	(+) Loop Power mA Output
Black	(-) Common
White	(+) Dynamic Acceleration Output
Shield	Cable Drain Wire



### LP402-3C

Armored Integral Cable

Conductor	Polarity
Red	(+) Loop Power mA Output
Black	(-) Common
White	(+) Dynamic Acceleration Output
Shield	Cable Drain Wire



Specifications	Standard	Metric
Output, 4-20 mA	See Selection Guide	
Measurement Range		
<b>Tolerances</b>		
4 mA	± 5%	
20 mA	± 10%	
Dynamic Output Acceleration	IEPE sensor power not required	
Sensitivity ± 10%	100 mV/g	
Frequency Response ± 3 dB	120-900,000 CPM	2,0-15000 Hz
<b>Electrical</b>		
Settling Time (Turn on Time) @ Room Temp (68°F/20°C)	<60 Seconds	
Power Requirement (Loop Powered) Voltage Source	12-28 VDC	
Electrical Case Isolation	>10 <sup>8</sup> ohm	
<b>Environmental</b>		
Temperature Range	-40 to 185°F	-40 to 85°C
Electromagnetic Sensitivity	CE	
Sealing	Welded, Hermetic	
Submersible Depth (LP402-2C/3C)	200 ft.	60 m

Specifications	Standard	Metric
<b>Physical</b>		
Sensing Element	PZT Ceramic	
Sensing Structure	Shear Mode	
Weight (without cable)	3.7 oz	105 grams
Case Material	316L Stainless Steel	
Mounting Hole	1/4-28	
Connector (LP402-1B)	3 Pin MIL-C-5015	
Integral Cable (LP402-2C)	Polyurethane Jacketed Cable	
Armored Cable (LP402-3C)	Armor Jacketed Cable	
<b>Mechanical</b>		
Mounting Torque	2 to 5 ft. lbs.	2,7 to 6,8 Nm
<b>Supplied Accessories</b>		
Mounting Hardware	1/4-28 Stud	M6x1 Adapter Stud
Calibration Certificate	CA10 (dynamic) Current Output @ 100 Hz	

## Ordering Information



Stud Type	Measurement Range	Range Type	Frequency Range +/- 3dB	Style	Armor Length (Integral)	Cable Length (Integral)
M = M6x1 (blank for 1/4-28)	0 = 0-0.5 IPS (0-12,7 mm/sec) 1 = 0-1 IPS (0-25,4 mm/sec) 2 = 0-2 IPS (0-50,8 mm/sec) 3 = 0-10 mm/sec (0-0,4 IPS) 4 = 0-20 mm/sec (0-0,8 IPS)	R = RMS P = Peak	1 = 600-60,000 CPM (10-1000 Hz) 2 = 180-150,000 CPM (3-2500 Hz)	1B = 3 Pin MIL C-5015 2C = Integral Cable 3C = Armor Jacket	010 = 10 ft. (3 m) 020 = 20 ft. (6 m) 030 = 30 ft. (9 m) 050 = 50 ft. (15 m) 100 = 100 ft. (30 m) <i>(Custom lengths available upon request)</i>	010 = 10 ft. (3 m) 020 = 20 ft. (6 m) 030 = 30 ft. (9 m) 050 = 50 ft. (15 m) 100 = 100 ft. (30 m) <i>(Custom lengths available upon request)</i>



19 Waterman Ave, Toronto, Ont. M4B1Y2  
Ph#416-445-5500 Fax#416-445-1170

Toll Free: 1-800-465-1600

Email: sales@intertechnology.com

Website: www.intertechnology.com



PROTECTION & RELIABILITY  
OPTIMIZATION INSTRUMENTS  
A PTE COMPANY