

# CT101

## Cable Termination Boxes 1, 2, 3 and 4 Channels

### CT101-4A



### Product Features

#### Low-Cost Cable Termination Boxes

Easy access to 1 to 4 channels with attached metal cap covers for superior durability and longevity.

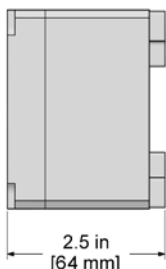
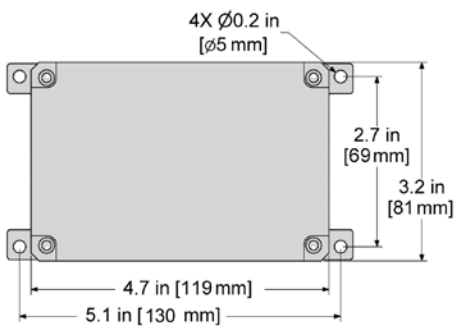
- Connects remotely installed sensors to portable data collectors
- Optional cord grip inputs provide quick and secure cable entry into enclosure (see model CT101-4C Photo, left)
- Attached BNC covers keep jacks protected

### CT101-4C



### Specifications

|                                       |   |
|---------------------------------------|---|
| Inputs                                | Terminal Block<br>3 Inputs per channel (+, -, Shield) |
| Output                                | BNC Jack Per Channel<br>Electrically Isolated         |
| Rating                                | NEMA 4X (IP66)  |
| Door Attachment                       | 4 Screws  |
| Material                              | Polycarbonate   |
| Screw Torque for Door & Mounting Feet | 40-45 in-oz   |
| Temperature Rating                    | -58° to 180° F (-50° to 82° C)                        |
| Resistance                            | Resistant to Hose Directed Fluid                      |



### Ordering Information

CT101 -



|  |
|--|
| <b>Enclosure Type</b><br>Polycarbonate |
|--|

|  |
|--|
| <b>Channels</b><br>1 = 1 Channel<br>2 = 2 Channels<br>3 = 3 Channels<br>4 = 4 Channels |
|--|

|  |
|--|
| <b>Input Options</b><br>A = *User Defined<br>B = **Conduit Fitting<br>C = Cord Grips |
|--|

#### Example Part Number: **CT101-2C**

*Two channel cable termination box, with cord grip inputs*

\* No punch outs are provided in the enclosure for cable entry. User may install any fitting required.

\*\* For use with conduit.  
† Stainless Steel enclosure only.