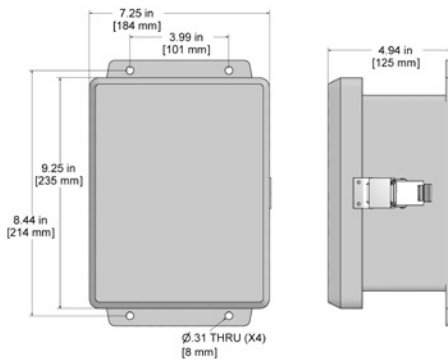


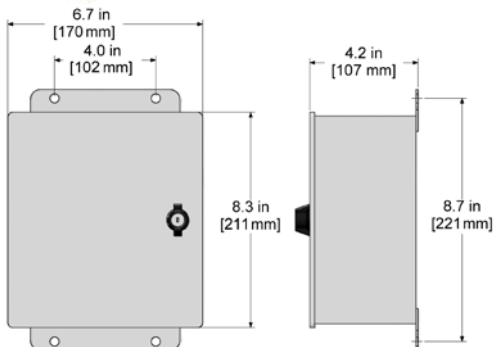
CR102/CR202

Fiberglass (CR102) or Stainless Steel (CR202) Cable Reduction Boxes
8, 12 and 16 Channels

CR102 Fiberglass Enclosure



CR202 Stainless Steel Enclosure



Product Features

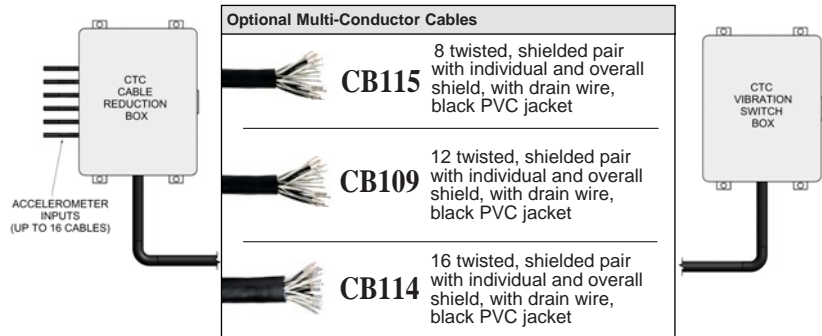
Helps Reduce Cable Clutter

CTC's Cable reduction boxes are ideal for consolidating cables. Not only does this help cut costs but will also provide an easily accessible and organized data collection point.

- Can accept up to 16 individual signal cables
- Reduce cable costs by as much as 75%
- Reduce up to 16 individual cables to one multi-conductor cable

Specifications

	CR102	CR202
Inputs	Terminal Block 3 Inputs per channel (+, -, Shield)	
Switched Output	Terminal Block 3 Outputs per channel (+, -, Shield)	
Rating	NEMA 4X (IP66)	
Door Closure	Snap Latch	Twist Lock
Material	Fiberglass	Stainless Steel
Temperature Rating	-58° to 180° F (-50° to 82° C)	
Resistance	Resistant to Hose Directed Fluid and Corrosion	



Ordering Information

CR -

Enclosure Type
102 = Fiberglass Enclosure
202 = Stainless Steel Enclosure

Channels
8 = 8 Channels
12 = 12 Channels
16 = 16 Channels

Input Options
A = *User Defined
B = **Conduit Fitting
C = Cord Grips
S = †Stainless Steel Cord Grips

Example Part Number: **CR102-12B**

Twelve channel cable reduction box, NEMA 4X fiberglass enclosure, with conduit fittings

* No punch outs are provided in the enclosure for cable entry. User may install any fitting required.

** For use with rigid body conduit.

† Stainless Steel enclosure only.

INTERTECHNOLOGY
INC.

19 Waterman Ave, Toronto, Ont. M4B1Y2
Ph#416-445-5500 Fax#416-445-1170

Toll Free: 1-800-465-1600

Email: sales@intertechnology.com
Website: www.intertechnology.com

