

# AC140 Series

Multi-Purpose mini-MIL Accelerometer, Top Exit Connector/Cable, 100 mV/g

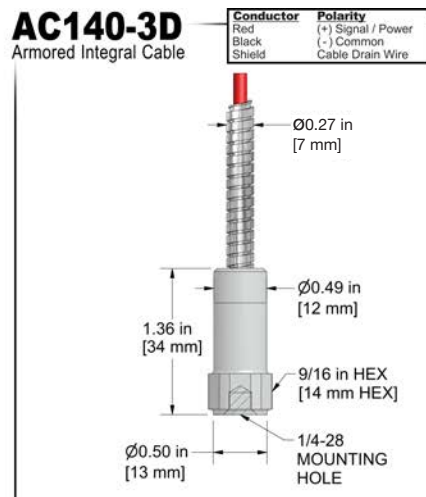
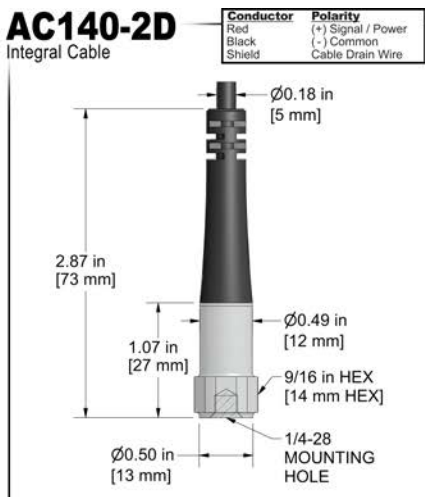
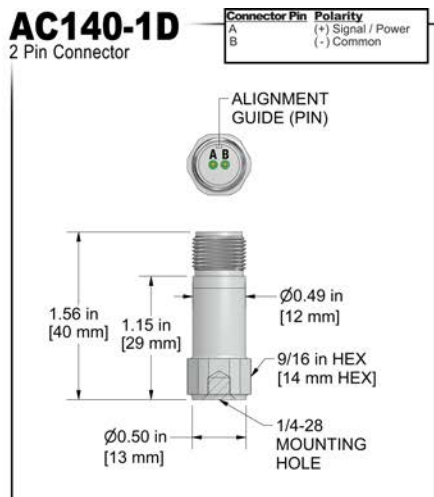
**mini-MIL Must Use J2X Series Connectors**  
**Product Features**

**Small Accelerometer, Great for Hard-to-Reach Locations!**

**Industrial Accelerometer, Perfect for Many Applications**

- Small, Easy to Manage Size
- 2 Pin mini-MIL Connection
- ±15% Sensitivity

Actual Product Size Shown



Specifications	Standard	Metric
Part Number	AC140	M/AC140
Sensitivity (±15 %)	100 mV/g	
Frequency Response (±3dB)	36-900,000 CPM	0,6-15000 Hz
Frequency Response (±10%)	60-420,000 CPM	1,0-7000 Hz
Dynamic Range	± 50 g, peak	
<b>Electrical</b>		
Settling Time	<2.5 seconds	
Voltage Source (IEPE)	18-30 VDC	
Constant Current Excitation	2-10 mA	
Spectral Noise @ 10 Hz	30 µg/√Hz	
Spectral Noise @ 100 Hz	4 µg/√Hz	
Spectral Noise @ 1000 Hz	2 µg/√Hz	
Output Impedance	<100 ohm	
Bias Output Voltage	10-14 VDC	
Case Isolation	>10 <sup>9</sup> ohm	

Specifications	Standard	Metric
<b>Environmental</b>		
Temperature Range	-58 to 250°F	-50 to 121°C
Maximum Shock Protection	5,000 g, peak	
Electromagnetic Sensitivity	CE	
Sealing	IP68	
Submersible Depth (AC140-2D/3D)	200 ft.	60 m
<b>Physical</b>		
Sensing Element	PZT Ceramic	
Sensing Structure	Shear Mode	
Weight	0.7 oz	20 grams
Case Material	316L Stainless Steel	
Mounting	1/4-28	
Connector (non-integral)	2 Pin mini-MIL	
Resonant Frequency	2,040,000 CPM	34000 Hz
Mounting Torque	2 to 5 ft. lbs.	2,7 to 6,8 Nm
Mounting Hardware	1/4-28 Stud	M6x1 Adapter Stud
Calibration Certificate	CA10	

## Ordering Information

Standard	AC140-1D (1/4-28 Stud)	AC140-2D - / (1/4-28 Stud)	AC140-3D - / (1/4-28 Stud)
		(length in feet) (termination)	(maximum armor length 100 ft.) (cable length in feet) (termination)
Metric	M/AC140-1D (M6x1 Adapter Stud)	M/AC140-2D - / (M6x1 Adapter Stud)	M/AC140-3D - / (M6x1 Adapter Stud)
		(length in meters) (termination)	(maximum armor length 30 m) (cable length in meters) (termination)

Cable Termination Options: **E** **F** **L** **Z**

**INTERTECHNOLOGY**  
INC.

19 Waterman Ave, Toronto, Ont. M4B1Y2  
 Ph#416-445-5500 Fax#416-445-1170  
 Toll Free: 1-800-465-1600  
 Email: sales@intertechnology.com  
 Website: www.intertechnology.com



VIBRATION ANALYSIS HARDWARE

**Backed by our Unconditional Lifetime Warranty**