

High g Accelerometer, Top Exit Connector/Cable 10 mV/g

SECTION 1 - VIBRATION SENSORS
Accelerometers

Actual Product Size Shown



Product Features

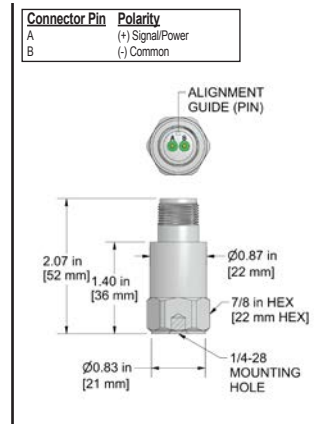
Very High g Accelerometer for Higher g Applications

Can be used for Gearbox Applications

- 1 - 15000 Hz (60 - 900,000 CPM) Frequency Response when Stud Mounted
- 10 mV/g Sensitivity
- ± 500 g, Peak Dynamic Range

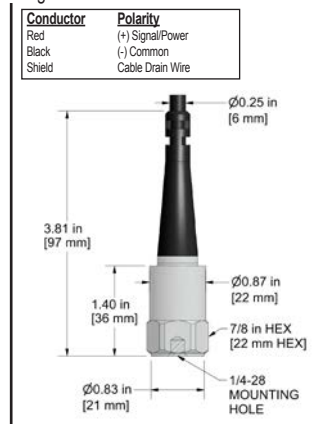
AC131-1A

2 Pin Connector



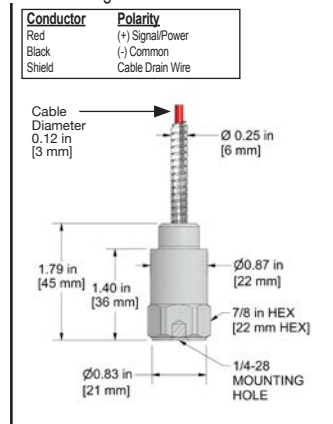
AC131-2C

Integral Cable



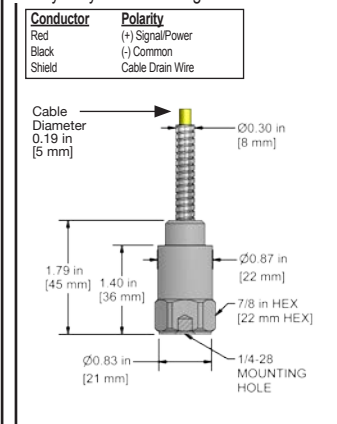
AC131-3C

Armored Integral Cable



AC131-6C

Heavy Duty Armored Integral Cable



Specifications	Standard	Metric
Part Number	AC131	M/AC131
Sensitivity (±10%)	10 mV/g	
Frequency Response (±3dB)	60-900,000 CPM	1-15000 Hz
Frequency Response (±10%)	120-360,000 CPM	2-6000 Hz
Dynamic Range	± 500 g, peak	
Electrical		
Settling Time	<2 Seconds	
Voltage Source (IEPE)	18-30 VDC	
Constant Current Excitation	2-10 mA	
Spectral Noise @ 10 Hz	300 µg/√Hz	
Spectral Noise @ 100 Hz	30 µg/√Hz	
Spectral Noise @ 1000 Hz	6 µg/√Hz	
Output Impedance	<100 ohm	
Bias Output Voltage	10-14 VDC	
Case Isolation	>10 ⁹ ohm	

Specifications	Standard	Metric
Environmental		
Temperature Range	-58 to 250°F	-50 to 121°C
Maximum Shock Protection	5,000 g, peak	
Electromagnetic Sensitivity	CE	
Sealing	IP68	
Submersible Depth (AC131-2C/3C)	200 ft.	60 m
Physical		
Sensing Element	PZT Ceramic	
Sensing Structure	Shear Mode	
Weight	3.2 oz.	90 grams
Case Material	316L Stainless Steel	
Mounting	1/4-28	
Connector (non-integral)	2 Pin MIL-C-5015	
Resonant Frequency	1,380,000 CPM	23000 Hz
Mounting Torque	2 to 5 ft. lbs.	2,7 to 6,8 Nm
Mounting Hardware	1/4-28 Stud	M6x1 Adapter Stud
Calibration Certificate	CA10	

Ordering Information

Standard	AC131-1A (1/4-28 Stud)	AC131-2C - / (1/4-28 Stud)	AC131-3C - / (1/4-28 Stud)	AC131-6C - / (1/4-28 Stud)
		(length in feet) (termination)	(maximum armor length 100 ft.) (cable length in feet) (termination)	(maximum armor length 20 ft.) (cable length in feet) (termination)
Metric	M/AC131-1A (M6x1 Adapter Stud)	M/AC131-2C - / (M6x1 Adapter Stud)	M/AC131-3C - / (M6x1 Adapter Stud)	M/AC131-6C - / (M6x1 Adapter Stud)
		(length in meters) (termination)	(maximum armor length 30 m) (cable length in meters) (termination)	(maximum armor length 6 m) (cable length in meters) (termination)

Cable Termination Options: E F L Z



VIBRATION ANALYSIS HARDWARE

INTERTECHNOLOGY INC.

19 Waterman Ave, Toronto, Ont. M4B1Y2
Ph#416-445-5500 Fax#416-445-1170

Toll Free: 1-800-465-1600

Email: sales@intertechnology.com

Website: www.intertechnology.com