

AC115 Series

Low Cost Triaxial Accelerometer, Connector/Cable, 100 mV/g

SECTION 1 - VIBRATION SENSORS
Accelerometers

Actual Product Size Shown



Must Use J4A, J4C, J4N, or J4P Connectors
Must Use CB105, CB117, CB119 or CB218 Cables

Product Features

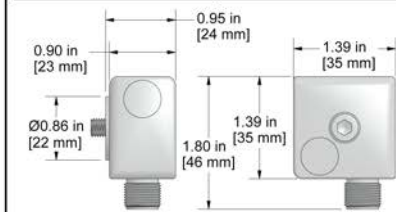
Low Cost Triaxial Sensor
Speeds Data Collection

- $\pm 15\%$ Sensitivity
- Monitor 3 Channels of Data Simultaneously
- Affordably Priced

AC115-1D

4 Pin Connector

Connector Pin	Polarity	Azima DLI Compatible Connector Pin	Polarity
A	Axis Y (+) Signal / Power	A	Axis 3 (+) Signal / Power
B	Axis X (+) Signal / Power	B	Axis 2 (+) Signal / Power
C	Axis Z (+) Signal / Power	C	Axis 1 (+) Signal / Power
D	(-) Common / Grid	D	(-) Common / Grid



ALIGNMENT GUIDE (PIN)

CTC multi-conductor cable
Red = Y axis
Green = X axis
White = Z axis
Black = Common

AC115-2D

Integral Cable

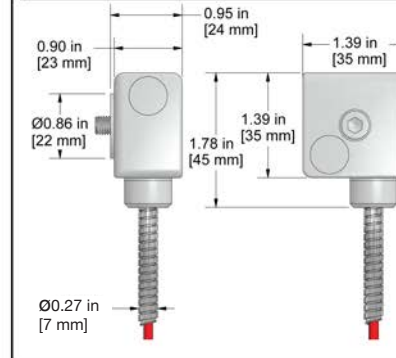
Conductor	Polarity	Azima DLI Compatible Conductor	Polarity
Red	Axis Y (+) Signal / Power	Red	Axis 3 (+) Signal / Power
Green	Axis X (+) Signal / Power	Green	Axis 2 (+) Signal / Power
White	Axis Z (+) Signal / Power	White	Axis 1 (+) Signal / Power
Black	(-) Common / Grid	Black	(-) Common / Grid



AC115-3D

Armored Integral Cable

Conductor	Polarity	Azima DLI Compatible Conductor	Polarity
Red	Axis Y (+) Signal / Power	Red	Axis 3 (+) Signal / Power
Green	Axis X (+) Signal / Power	Green	Axis 2 (+) Signal / Power
White	Axis Z (+) Signal / Power	White	Axis 1 (+) Signal / Power
Black	(-) Common / Grid	Black	(-) Common / Grid



Specifications	Standard	Metric
Part Number	AC115	M/AC115
Sensitivity ($\pm 15\%$)	100 mV/g	
Frequency Response ($\pm 3\text{dB}$)	60-390,000 CPM	1,0-6500 Hz
Dynamic Range	± 50 g, peak	
Electrical		
Settling Time	<2.5 seconds	
Voltage Source (IEPE)	18-30 VDC	
Constant Current Excitation	2-10 mA	
Spectral Noise @ 10 Hz	27 $\mu\text{g}/\sqrt{\text{Hz}}$	
Spectral Noise @ 100 Hz	6.5 $\mu\text{g}/\sqrt{\text{Hz}}$	
Spectral Noise @ 1000 Hz	2.5 $\mu\text{g}/\sqrt{\text{Hz}}$	
Output Impedance	<100 ohm	
Bias Output Voltage	10-14 VDC	
Case Isolation	>10 ⁸ ohm	

Specifications	Standard	Metric
Environmental		
Temperature Range	-58 to 250°F	-50 to 121°C
Electromagnetic Sensitivity		CE
Sealing		IP68
Submersible Depth (AC115-2D/3D)	200 ft.	60 m
Physical		
Sensing Element		PZT Ceramic
Sensing Structure		Shear Mode
Weight	7.1 oz	200 grams
Case Material		316L Stainless Steel
Mounting		1/4-28
Connector (non-integral)		4 Pin, J Connector
Mounting Torque	1 to 2 ft. lbs.	1,4 to 2,7 Nm
Mounting Hardware	1/4-28 Captive Bolt	M6x1 Captive Bolt
Calibration Certificate		CA10

Ordering Information

Standard	AC115-1D	AC115-2D - /	AC115-3D - /
	(1/4-28 Captive Bolt)	(1/4-28 Captive Bolt)	(1/4-28 Captive Bolt)
		(length in feet) (termination)	(maximum armor length 100 ft.) (cable length in feet) (termination)
Metric	M/AC115-1D	M/AC115-2D - /	M/AC115-3D - /
	(M6x1 Captive Bolt)	(M6x1 Captive Bolt)	(M6x1 Captive Bolt)
		(length in meters) (termination)	(maximum armor length 30 m) (cable length in meters) (termination)

Cable Termination Options: E3C



INTERTECHNOLOGY
INC.

19 Waterman Ave, Toronto, Ont. M4B1Y2
Ph#416-445-5500 Fax#416-445-1170
Toll Free: 1-800-465-1600
Email: sales@intertechnology.com
Website: www.intertechnology.com



VIBRATION ANALYSIS HARDWARE

Backed by our Unconditional Lifetime Warranty