

Model KM15 Pressure Transducer

Upgraded replacement to KM10



LOOK FOR THIS AGENCY MARK ON OUR PRODUCTS

APPLICATIONS

An upgraded replacement to the popular Type KM 10, the cost effective construction of the KM15 is ideally suited to address the demanding pressure sensing needs of the original equipment manufacturer in a multitude of applications, including:

- Off-Road Equipment
- Construction Machinery
- HVAC/Refrigeration
- Compressor Control
- Pump Monitoring
- Agricultural Implements
- Diagnostic Kits
- Engine Monitoring
- Process Automation & Control
- Hydraulic & Pneumatic Sensing
- Machine Tool
- RoHS compliant

The Ashcroft® KM15 pressure transducer marries a proven polysilicon thin film sensor to a high performance ASIC to provide a highly accurate, stable and durable transducer.

Calibration, by digital compensation, results in an extremely linear and repeatable instrument over a wide temperature range.

The highly stable thin film sensor of 17-4 PH stainless steel is electron beam welded to one of a wide selection of stainless steel pressure fittings to provide superior media compatibility and over-pressure capability.

PERFORMANCE SPECIFICATIONS

Ref. Condition 23°C ±2° (73°F)

Accuracy: Includes non-linearity, hysteresis, non-repeatability, – BFSL (Best Fit Straight Line) method: ±0.5% Span, 100 psig F.S. and above ±1.0% Span, 75 psig F.S. and below

Stability: ±0.25% Span/year

Interchangeability: <0.5% Span

Durability: Tested to 10 million cycles (10 to 100%FS)

ENVIRONMENTAL SPECIFICATIONS

Temperature:

Storage –40/120°C (–40/250°F)

Operating –40/120°C (–40/250°F)

Compensated –30/120°C (–25/250°F)

Humidity: 0/100%R.H., no effect

Thermal Coefficients: –30 to 120°C (–25 to +250°F)

Zero ±0.0055%/°F (±0.01%/°C) **Span** ±0.0055%/°F (±0.01%/°C)

FUNCTIONAL SPECIFICATIONS

Ranges:

| | | |
|--------------|--------------|------------|
| vac/0 psi* | vac/300 psi* | 0/500 psi |
| vac/15 psi* | 0/15 psi* | 0/750 psi |
| vac/30 psi* | 0/30 psi* | 0/1000 psi |
| vac/50 psi* | 0/50 psi* | 0/1500 psi |
| vac/75 psi* | 0/75 psi* | 0/2000 psi |
| vac/100 psi* | 0/100 psi* | 0/3000 psi |
| vac/150 psi* | 0/200 psi* | 0/5000 psi |
| vac/200 psi* | 0/300 psi* | 0/7500 psi |

*Ranges in psig with vented cable or Metri-Pack termination only

| Overpressure (F.S.): | Proof | Burst |
|----------------------|-------------|------------|
| 750 psi & below | 2 x range | 10 x range |
| 1500 psi | 2 x range | 5 x range |
| 3000 psi | 2 x range | 5 x range |
| 5000 psi | 1.5 x range | 5 x range |
| 7500 psi | 1.2 x range | 5 x range |

Vibration: Random to 1 KHz, 20 g's

Shock: 50 g's, 11 msec

Drop Test: No effect 1 meter drop on concrete

Response Time: Less than 1msec

Position Effect: Less than 0.01% F.S.

ELECTRICAL SPECIFICATIONS

Output Signal Options:

| Output | Excitation | Supply Current |
|---------------------------|----------------|----------------|
| 0.5-4.5 Vdc (ratiometric) | 5 Vdc ± .5 Vdc | 10mA typical |
| 1-5 Vdc | 8-32 Vdc | 10mA typical |

Reverse Polarity Protection: Yes

Insulation Breakdown Voltage:

(Circuit to case) 150 Vac/1 min. 500 Vac option

Insulation Resistance: (Circuit to Case)

100M ohm min.@50 Vdc.

Warm-up Time: <25 msec

CE Compliance:

Per EN 61326: 1997 Annex A: 1998 (A1), 2001 (A2), 2003 (A3)

PHYSICAL SPECIFICATIONS

Pressure Connection Options: see "To Order" below

Pressure Connection: 304 SS

Housing: 304 SS

Diaphragm Material: 17-4 PH SS

Electrical Termination: see "To Order" below

• Metri Pack 150 Series

• Shielded Cable

• Flying Leads

Protection Rating: IP67

Weight: Connector:Approx. 2 oz. (60g),

Cable:Approx. 3.88 oz. (110g)

OPTIONS

Custom mating harness, Special cleaning (for O₂), Non-standard pressure ranges, Alternate process connections, Special calibration/accuracy, Throttle screws,

Model KM15 Pressure Transducer

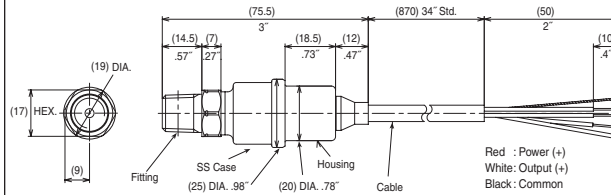
Upgraded replacement to KM10

DIMENSIONS

SHIELDED CABLE TERMINATION

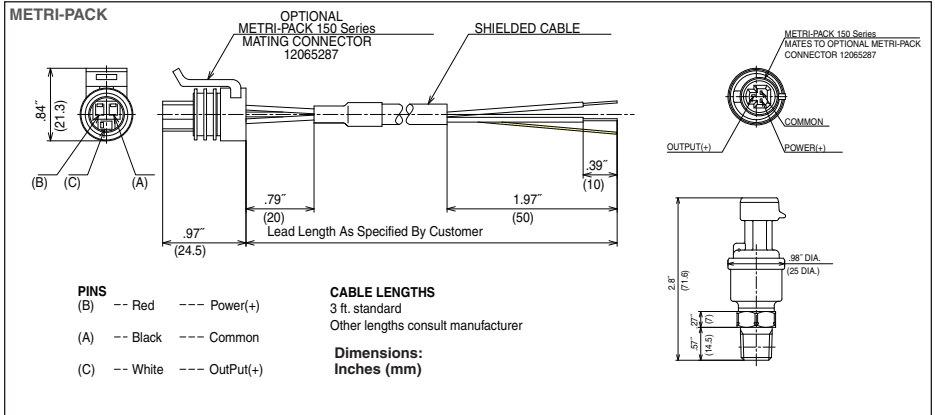
(Height may vary slightly depending on process connection)

Dimensions:
Inches (mm)



Cable is shielded with aluminum polyester tape and covered with PVC jacket. Operating temperature of -30/105°C, storage temperature -40/120°C. Cable includes drain wire. Vent tube provided in ranges of 300 psi and below. Individual wires are AWG 24 with tinned copper ends. Cable is rated at 300V, and is UL 2517 listed. 3 ft. (.9mm) standard length.

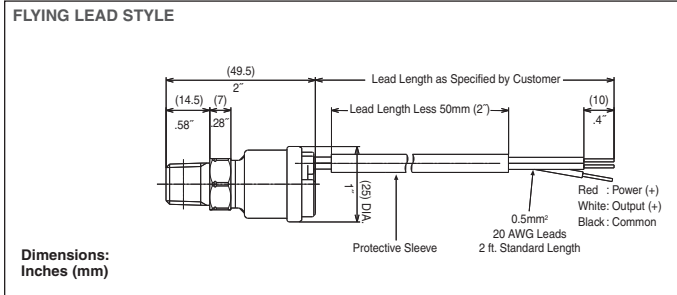
METRI-PACK



INTERTECHNOLOGY INC.

19 Waterman Ave, Toronto, Ont. M4B1Y2
Ph#416-445-5500 Fax#416-445-1170
Toll Free: 1-800-465-1600
Email: sales@intertechnology.com
Website: www.intertechnology.com

FLYING LEAD STYLE



How To Order

| | | | | | | | | | | | |
|--------------------------|---|---|---|--|--|--|--|----------|----------|--|--|
| K | M | 1 | 5 | | | | | # | X | | |
| Model Type (KM15) | Accuracy Class (5) 0.50% (100 psi & above) (7) 1.0% (75 psi & below) | Pressure Connection (M01) 1/8 NPT-M (M02) 1/4 NPT-M (M38) 3/8-24 UNF-2A (MEK) 7/16-20 UNF-2A (FRW) 7/16-20 UNF-2B (M10) M10 x 1 (M14) M14 x 1.5 (MR3) R 3/8 (MR2) R 1/4 (MG3) G 3/8 (MG2) G 1/4 | Output Signal (15) 1-5 Vdc (RM) Ratiometric 0.5-4.5 Vdc | Electrical Termination For Metri-Pack (G1) = no mating conn. (G2) = mating conn. 3' cable (G1) = mating conn. w/customer specified length For Shielded Cable (F2) 36" shielded cable, PVC sheath (P1) Other length (P9) Custom cable For Flying Lead (12) 12 inch length (24) 24 inch length (36) 36 inch length | Pressure Range PSIG Vac./0 Vac./15 Vac./30 Vac./50 Vac./75 Vac./100 Vac./150 Vac./200 Vac./300 Vac./500 0/75 0/150 0/300 0/500 0/750 0/1000 0/1500 0/2000 0/3000 0/5000 0/7500 0/75 | PSIS* 0/100 0/150 0/200 0/300 0/500 0/750 0/1000 0/1500 0/2000 0/3000 0/5000 0/7500 0/75 | Special Features* (XTS) Throttle Screw (X6B) Gaseous Oxygen Cleaning *Additional Options (consult factory) *Sealed sensor | | | | |